



# CMC RESCUE 8

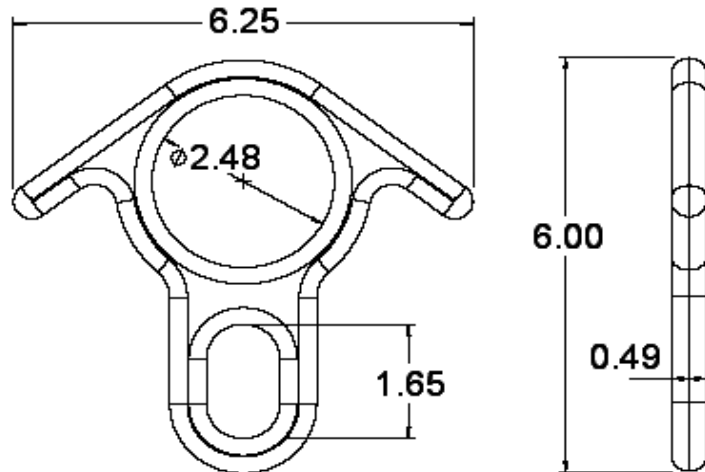
P.O. Box 6870, Santa Barbara, CA 93160 USA  
 805-562-9120  
 www.cmcrescue.com

## Benefits

- Proven design for optimum use with 1/2 inch rope
- Aluminum model with CMC's proprietary finish is extremely long-lasting.
- Steel model long lasting for harsh gritty industrial environments.

## Features

- CMC's proprietary finish on Aluminum model provides outstanding wear resistance.
- Nickel-chrome plated Steel model provides exceptionally high wear in sandy, gritty environments.
- Extended carabiner hole allows for multiple carabiner connection.



## NFPA Descent Control Device Performance Requirements

### Light-Use (Ø 9.5mm - 11.5mm)

- Descent control devices must not show any permanent damage to the device or to the rope at 5 kN (1,124 lbf) and have a 3σ MBS of not less than 13.5 kN (3,034 lbf).
- If the belay device has a passive breaking feature, the device shall not slip more than 25 mm at a force of 1.35 kN (300 lbf.) when tested on the smallest and largest diameter specified by the manufacturer.

### General-Use (Ø 11.5mm - 13mm)

- Descent control devices must not show any permanent damage to the device or to the rope at 5 kN (1,124 lbf) and have a 3σ MBS of not less than 22 kN (4,946 lbf).
- If the belay device has a passive breaking feature, the device shall not slip more than 25 mm at a force of 2.7 kN (600 lbf.) when tested on the smallest and largest diameter specified by the manufacturer.

Item #	300850	300840
Material	Steel	Aluminum
Rope Size (diameter)*	3/8 to 1/2 in. (9.5 to 13 mm)	3/8 to 1/2 in. (9.5 to 13 mm)
Large Hole (diameter)	2.48 in. (63 mm)	2.48 in. (63 mm)
3σ MBS** with Ø 9.5mm rope	4,047 lbf. (18 kN)	3,597 lbf. (16 kN)
3σ MBS** with Ø 12.5mm rope	4,946 lbf. (22 kN)	5,171 lbf. (23 kN)
Weight	1 lb. 3 oz. (539 g)	6.6 oz. (187 g)

\*Manufacturer's recommendation for best performance.

\*\*Product 3σ MBS rating is the actual breaking strength of the product tested by Underwriters Laboratories Inc®. All CMC Rescue products are labeled with the minimum rating required by NFPA Standard 1983-2006.