



Instructions for the following series products:

Detachable Roof Anchors

(See back page for specific model numbers.)

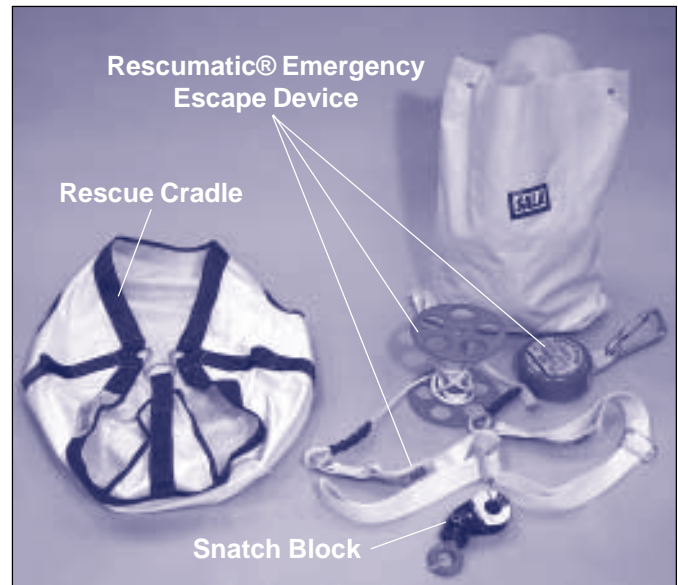
User Instruction Manual Rescumatic® Emergency Escape Device and Rescue Cradle

This manual is provided as the Manufacturer's instructions, and should be used as part of an employee training program as required by OSHA and CSA.

WARNING: This product is part of an emergency escape system. The user must follow manufacturer's instructions for each part of this system. The user must read and understand these instructions before using this equipment. Manufacturer's instructions must be followed for proper use and maintenance of this equipment. Alterations or misuse of this equipment, or failure to follow instructions, may result in serious injury or death.

IMPORTANT: If you have questions on the use, care, or suitability of this equipment for your application, contact DBI/SALA.

IMPORTANT: Record the product identification information from the ID label in the inspection and maintenance log in section 9.0 of this manual.



DESCRIPTION

3300000 (SD-100): Rescumatic® Emergency Escape Device, includes two webbing body supports, one 2000106 carabiner, rope, styrene rope spool, and a vinyl dust cover.

9501722: Snatch Block; for angled descent. (Optional item, sold separately)

3610000: Rescue Cradle, this kit consists of a canvas cradle, a carabiner and a guide line. The cradle has one ring on each side and a webbing tab tail which must all be attached together. (Optional item, sold separately)

1.0 APPLICATIONS

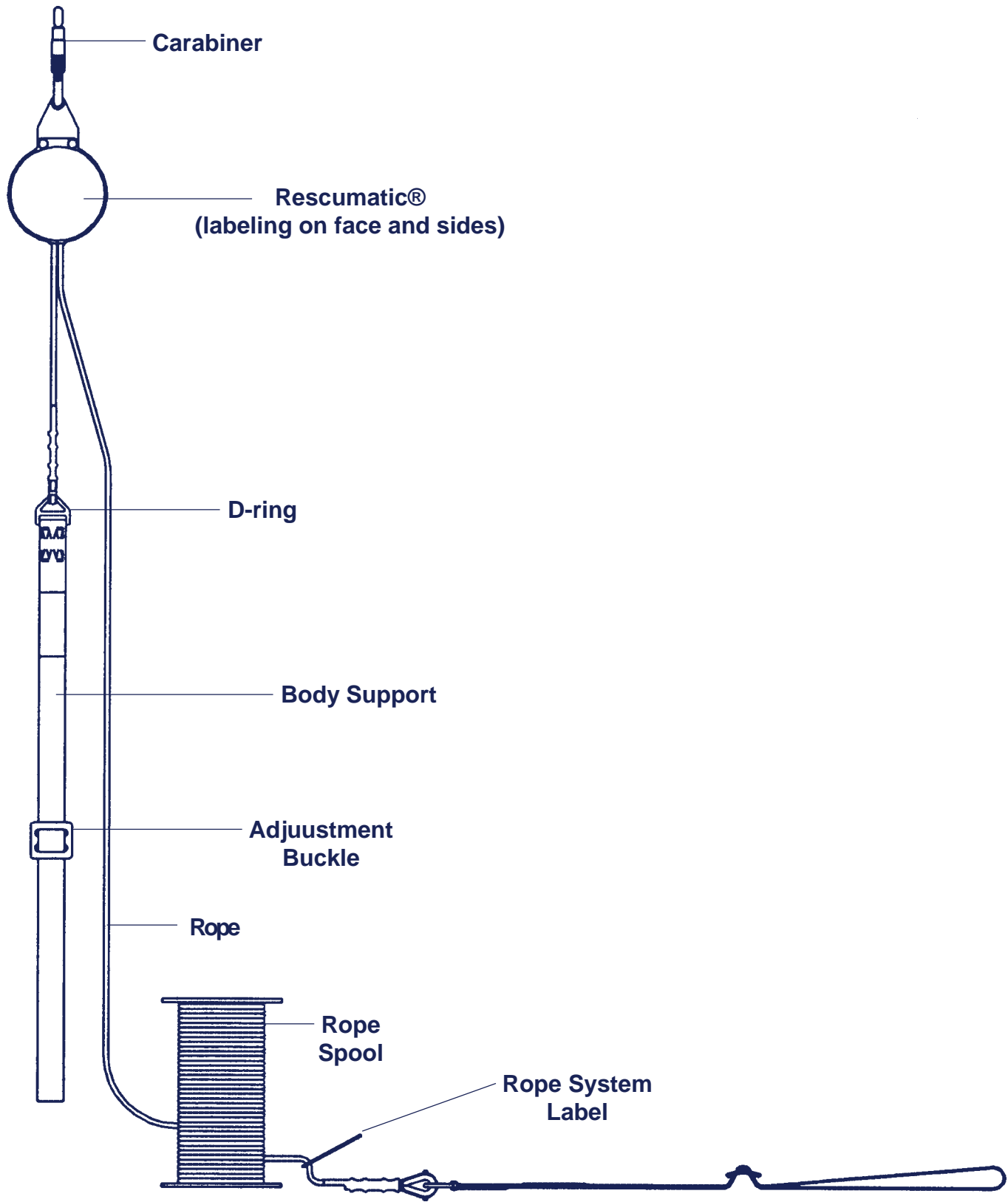
1.1 Purpose: The Rescumatic® Emergency Escape Device is used for automatic, controlled descent from overhead cranes, towers, buildings or other heights. The system alternates from clockwise to counterclockwise from descent to descent, thus allowing for multiple descents to occur. Rope lengths up to 1,000 ft (304.8m) (300 ft [91.4m] in Canada) are available. The Snatch Block is used for angled descent when a vertical descent is inappropriate due to fire, smoke, fumes, or other danger. See section 3.3 (C). The Rescue Cradle is used for a rescue of an injured person. See section 3.4 (C).

IMPORTANT: The Rescumatic® Emergency Escape Device must not be used for fall protection. This equipment is designed for **EMERGENCY** descent use only.

1.2 LIMITATIONS: Consider the following application limitations before using this equipment:

A. CAPACITY: The Rescumatic® is designed for use by persons with a combined weight (clothing, tools, ect.) of 75 lbs. to 300 lbs (34kg to 136kg). (Rescue Cradle capacity is 350 lbs (159kg).)

Figure 1 - Rescumatic® Emergency Escape Device



- B. DESCENT SPEED:** The average speed at which the user will be lowered when using the Rescumatic® Emergency Escape Device is 3 ft per second (.9m per second).
- C. ENVIRONMENTAL HAZARDS:** Use of this equipment in areas with environmental hazards may require additional precautions to prevent injury to the user or damage to the equipment. Hazards may include, but are not limited to; high heat, caustic chemicals, corrosive environments, high voltage power lines, explosive or toxic gases, moving machinery, and sharp edges.
- D. TRAINING:** This equipment must be installed and used by persons trained in its correct application and use.
- E. MAXIMUM SYSTEM LENGTH:** The maximum length of descent is 1,000 ft (304.8m) (300 ft [91.4m] in Canada). Special precautions in storing and unwinding the rope are required for all lengths over 250 ft (76.2m).
- F. NUMBER OF USERS:** The Rescumatic® Emergency Escape Device is used by one person at a time. Multiple descents can be performed.
- G. BODY SUPPORT:** The webbing body support strap provided with the system provides limited support when descending. For long descents, or if immediate descent is not mandatory, a full body harness is recommended to help support and provide comfort to the user.

1.3 APPLICATION STANDARDS: Refer to applicable standards, including local, state, and federal requirements for more information.

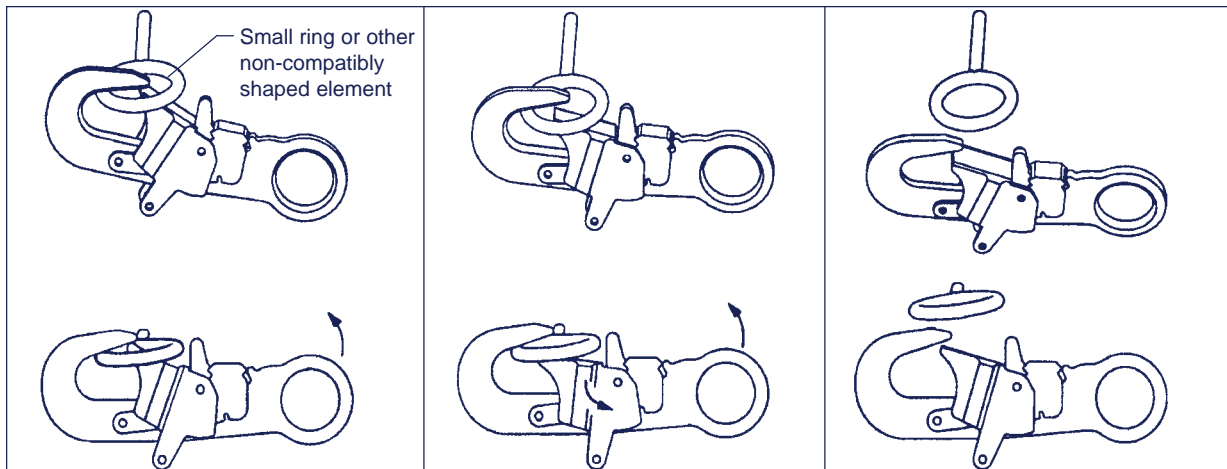
2.0 System Requirements

2.1 COMPATIBILITY OF COMPONENTS: DBI/SALA equipment is designed for use with DBI/SALA approved components and subsystems only. Substitutions or replacements made with non-approved components or subsystems may jeopardize compatibility of equipment and may effect the safety and reliability of the complete system.

2.2 COMPATIBILITY OF CONNECTORS: Connectors are considered to be compatible with connecting elements when they have been designed to work together in such a way that their sizes and shapes do not cause their gate mechanisms to inadvertently open regardless of how they become oriented. Contact DBI/SALA if you have any questions about compatibility.

Figure 2 - Unintentional Disengagement (Roll-out)

If the connecting element that a snap hook (shown) or carabiner attaches to is undersized or irregular in shape, a situation could occur where the connecting element applies a force to the gate of the snap hook or carabiner. This force may cause the gate (of either a self-locking or a non-locking snap hook) to open, allowing the snap hook or carabiner to disengage from the connecting point.



1. Force is applied to the snap hook.

2. The gate presses against the connecting ring.

3. The gate opens allowing the snap hook to slip off.

Connectors (hooks, carabiners, and D-rings) must be capable of supporting at least 5,000 lbs. (22.2kN). Connectors must be compatible with the anchorage or other system components. Do not use equipment that is not compatible. Non-compatible connectors may unintentionally disengage. See Figure 2. Connectors must be compatible in size, shape, and strength. Self locking snap hooks and carabiners are required by ANSI Z359.1, OSHA, and CSA Z259.12.

2.3 Making Connections: Only use self-locking snap hooks and carabiners with this equipment. Only use connectors that are suitable to each application. Ensure all connections are compatible in size, shape and strength. Do not use equipment that is not compatible. Ensure all connectors are fully closed and locked.

DBI/SALA connectors (snap hooks and carabiners) are designed to be used only as specified in each product's user's instructions. See Figure 3 for inappropriate connections. DBI/SALA snap hooks and carabiners should not be connected:

- A. To a D-ring to which another connector is attached.
- B. In a manner that would result in a load on the gate.

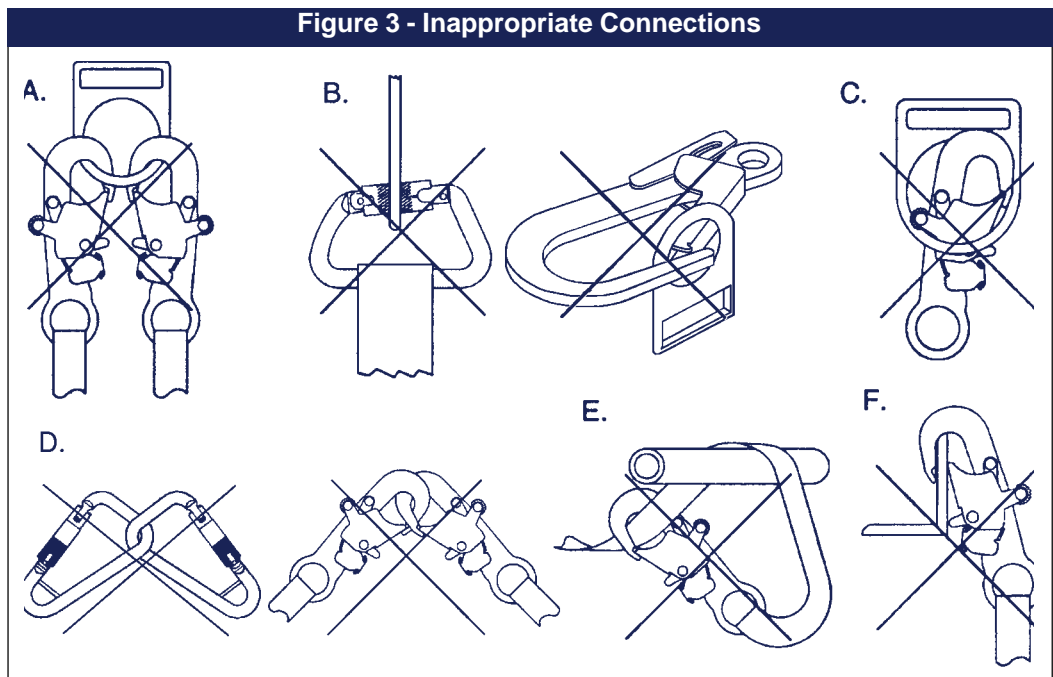
NOTE: Large throat opening snap hooks should not be connected to standard size D-rings or similar objects which will result in a load on the gate if the hook or D-ring twists or rotates. Large throat snap hooks are designed for use on fixed structural elements such as rebar or cross members that are not shaped in a way that can capture the gate of the hook.

- C. In a false engagement, where features that protrude from the snap hook or carabiner catch on the anchor and without visual confirmation seems to be fully engaged to the anchor point.
- D. To each other.
- E. Directly to webbing or rope lanyard or tie-back (unless the manufacturer's instructions for both the lanyard and connector specifically allows such a connection).
- F. To any object which is shaped or dimensioned such that the snap hook or carabiner will not close and lock, or that roll-out could occur.

2.4 ANCHORAGE STRENGTH:

Anchorage selected for the Rescumatic® Emergency Escape Device shall have a strength capable of sustaining static loads, applied in the directions permitted by the rescue system of at least 3100 lbs (13.8kN) for connection of rescue system only, or meet a factor safety of 5:1 based on the static load placed on the system when the system is designed, installed and used under the supervision

of a Qualified Person, as per OSHA definition. The anchorage point should be as close as possible to a vertical descent path. No more than one Rescumatic® Device may be connected to a single anchorage. Anchorages used to support a guide cable, when applicable, must be sufficiently strong to withstand the forces generated in the guide cable during descent. See section 3.3 (C).



- 2.5 **MOUNTING:** The Rescumatic® Emergency Escape Device unit can be mounted permanently or temporarily with the carabiner provided to a anchorage point.
- 2.6 **ANCHORAGE LOCATION:** It is recommended that the anchorage point be approximately seven feet above standing level and close to the escape point. The anchorage location should provide for a safe mounting and descent without exposing the user to a fall hazard or other hazards.
- 2.7 **ENVIRONMENTAL HAZARDS:** The Rescumatic® Emergency Escape Device should be protected from the effect of weather and the environment as follows:

Outdoors

A protective box should be constructed to suit local conditions. The box should be dry, resistant to salt spray, wind, fumes and UV light. All outdoor locations shall be arranged so the Rescumatic® Emergency Escape Device can be easily taken from it's dry protective encloser and suspended from the fixture by means of the carabiner. DBI/SALA offers a permanent mount storage cabinet, part number 9501721.

Indoors

For dusty locations indoors, all permanently installed Rescumatic® units should be protected with a vinyl protective cover furnished with each unit. The vinyl cover can be secured around the installed Rescumatic® and snapped together to protect the system. This cover is not suitable for outdoor installation.

Acid or Ammonia Atmospheres

The Rescumatic® Emergency Escape Device should be installed in a protective enclosure which prevents free exchange of fumes or other contaminants with air in the enclosure. Neoprene lined edges and doors ensure proper fit.

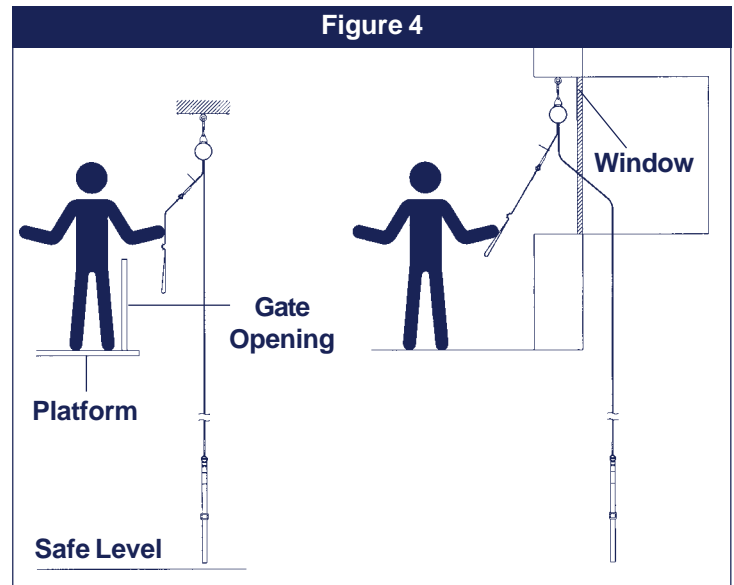
3.0 INSTALLATION AND USE

WARNING: Do not alter or intentionally misuse this equipment. Consult DBI/SALA when using this equipment in combination with components or subsystems other than those described in this manual. Some subsystem and component combinations may interfere with the operation of this equipment. Use caution when using this equipment around moving machinery, electrical hazards, chemical hazards, and sharp edges.

- 3.1 **BEFORE EACH USE** of this equipment inspect it according to section 5.0 of this manual.
- 3.2 **PLAN** your emergency escape descent and how it will be implemented before using this equipment. Consider all factors that will affect your safety during use of this equipment. Following are some important points to consider before using this equipment:

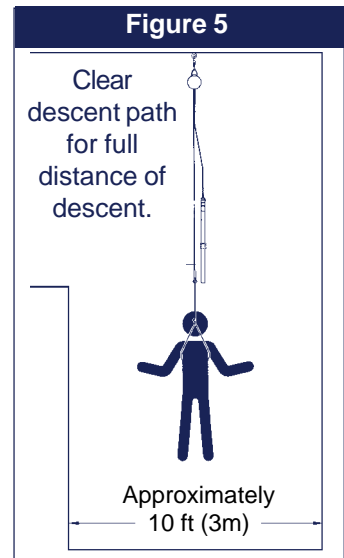
- A. **ANCHORAGE:** Anchorages for plant locations are typically structural steel members located near the launch point. On cranes and towers it is sometimes necessary to construct a simple davit providing the correct anchor point height and distance slightly away from the structure in order to provide a convenient launch point. Additional facilities such as a hinged railing and sliding fixture points shall be designed to provide a safe, secure launch without a free fall or swing. See Figure 4.

Anchorage for building installation are almost always **inside** the window out of the weather and need to be installed on the upper side of the window or alternately above the window over a ceiling joist. The Rescumatic® Device should be protected from dust, abrasion or casual interference by means of an enclosure such as the vinyl protective cover that is included with each unit ordered from DBI/SALA. See Figure 4.



IMPORTANT: The anchorage must support the loads specified in section 2.3. Make certain all connectors are compatible. See section 2.1 and 2.2.

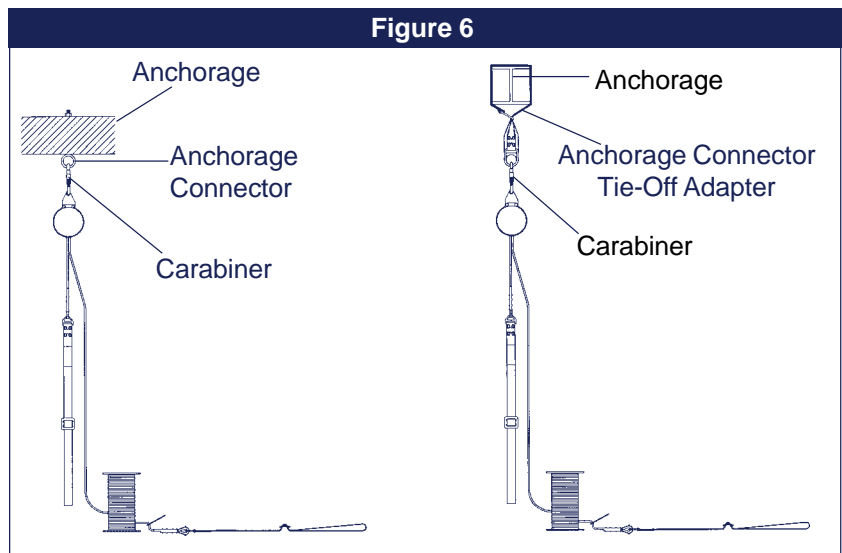
- B. DESCENT PATH AND LANDING AREA CLEARANCE:** Your descent path must be unobstructed. Landing area must be clear of obstructions to permit a safe landing. Failure to provide an unobstructed descent path and landing area may result in serious injury or death. See Figure 5.
- C. SHARP EDGES:** Avoid using this equipment where system components will be in contact with, or abrade against, unprotected sharp edges. If using this equipment near sharp edges is unavoidable, cover the edge with a heavy pad.
- D. SYSTEM LENGTH:** Make certain the system length is sufficient to reach the desired level. If the rope is too short, the descent will stop before you reach the desired level. If the rope is too long, multiple descents will be delayed because of the need to manually pull rope through the device to reach the end of the system.



3.3 INSTALLATION OF EACH COMPONENT:

WARNING: All users must be trained in the operation of this device before use. See section 4.0 of this manual. Failure to train and practice with this device may result in serious injury or death.

- A. RESCUMATIC® EMERGENCY ESCAPE DEVICE:** The device must be positioned close to the escape point. Attachment of the escape device to the anchor point is made with the carabiner provided with the system. See section 2.4, 2.5, and 2.6. See Figure 6.
- B. ROPE SPOOL:** The rope spool should be mounted to a rotating spindle if the rope length is over 250 ft (76.2m) or if an angled descent is desired. The rope spool should be located just below the Rescumatic® Emergency Escape Device. Make sure the reel rotates freely and rope can unravel as the descent proceeds. The rope spool and rotating spindle should be protected from weather and the environment. See Figure 7. For vertical systems 250 ft (76.2m) or less, the spool can be dropped to the safe level before descending.

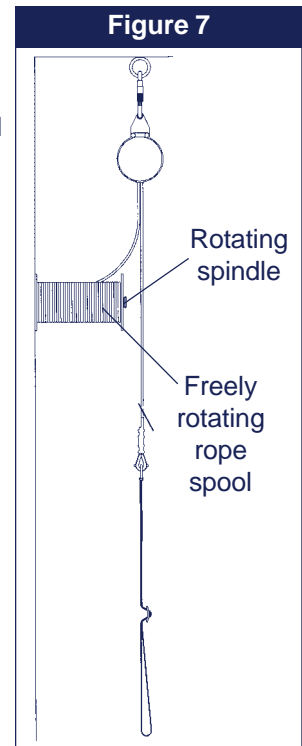


IMPORTANT: Do not drop the rope spool from great heights. READ these instructions carefully and completely before using this equipment.

IMPORTANT: Only one person may use this equipment at a time. The Rescumatic® Emergency Escape Device is designed for **EMERGENCY** descent use only.

- C. ANGLED GUIDELINE CABLE:** Applications with a angled descent require a guide cable. Systems requiring a guide cable must be designed by a qualified person. The angle at which the guide cable is secured, as well as the amount of sag in the guide cable, will affect the descent speed. The guide cable must be installed with sufficient slope and limited sag to ensure the user will reach the landing area. The guide cable and the anchorage point must support the weight of the user in a descent. Guide cable must be 3/8 in. (10mm) minimum wire rope (the DBI/SALA snatch block will fit 3/8 in. (10mm) maximum size guide cable).

The cable is installed permanently at approximately a 15 to 45 degree angle from vertical. It may be secured to the ground with a screw anchor or other suitable



anchorage. The upper installation point must support at least 5,000 pounds (22.2kN) in the direction of escape and be positioned over head height but within reach at the escape level. See Figure 8.

ANCHORAGE STRENGTH FOR GUIDE CABLE: Table 1 provides recommended anchorage strengths for various system configurations using 200 ft. (61m) long, 5/8 in. (16mm), 7x19 steel aircraft cable. When the angle of the guide cable from vertical is 10 degrees or less, a minimum anchorage strength of 5,000 lbs (22.2kN) is recommended.

3.4 OPERATION:

A. Vertical Descent:

Step 1. Open protective cover or enclosure, attach Rescumatic® to anchorage and drop spool to safe level. For systems 250 feet (76.2m) and over, or if spool can not be dropped, attach rope spool to rotating spindle. See Figure 9.

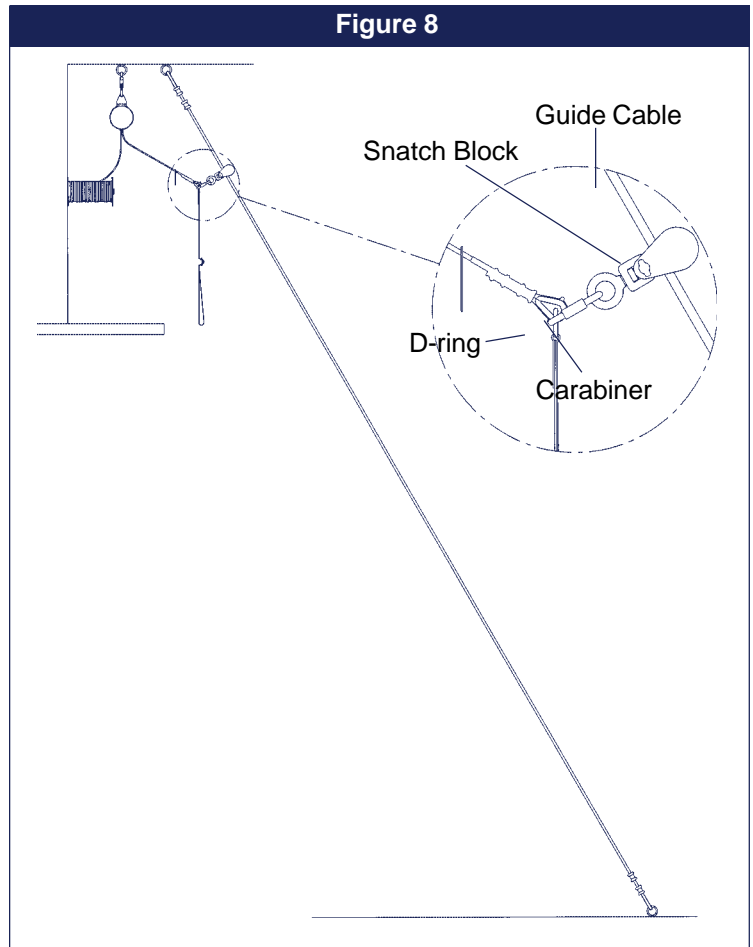
Step 2. Put webbing body support over head and under arms, adjust support buckle to tighten. If full body harness is available, don harness per manufacturer's instructions and secure harness to D-ring on body support using carabiner. See Figure 10.

Step 3. Pull on free end of rope to take up slack. See Figure 11. Rope must be taught before descending.

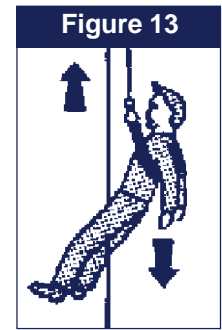
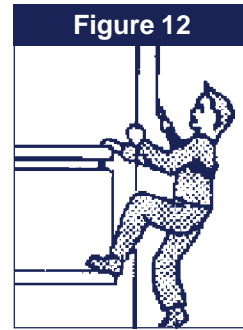
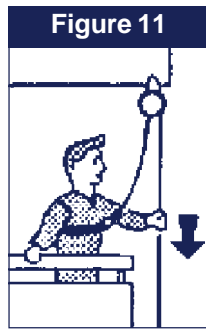
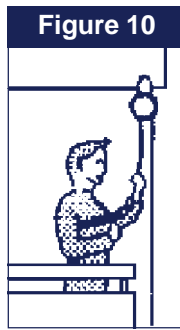
Step 4. Slowly step off of the platform to begin descent. See Figure 12.

Step 5. Descend to safe level. Prepare for landing by bending knees. See Figure 13. Disconnect from system. Body support at opposite end of system should now be located near Rescumatic® unit, available for second descent.

If the system is to be used for multiple descents, the second person shall repeat steps 2 - 5.



Angle of Guide Cable From Vertical	Guide Cable Pretension	Initial Guide Cable Sag	Recommended Anchorage Strength (including 2:1 Safety Factor)
15 degrees	460 lbs. (2.05kN)	24 inches (61cm)	5,400 lbs. (24.0kN)
15 degrees	230 lbs. (1.02kN)	48 inches (122cm)	5,000 lbs. (22.2kN)
15 degrees	150 lbs. (.67kN)	72 inches (183cm)	5,000 lbs. (22.2kN)
15 degrees	120 lbs. (.53kN)	96 inches (244cm)	5,000 lbs. (22.2kN)
30 degrees	890 lbs. (3.95kN)	24 inches (61cm)	9,900 lbs. (44.0kN)
30 degrees	450 lbs. (2.00kN)	48 inches (122cm)	7,700 lbs. (34.2kN)
30 degrees	300 lbs. (1.33kN)	72 inches (183cm)	5,900 lbs. (26.2kN)
30 degrees	220 lbs. (.98kN)	96 inches (244cm)	5,000 lbs. (22.2kN)
45 degrees	1,260 lbs. (5.60kN)	24 inches (61cm)	13,100 lbs. (58.3kN)
45 degrees	630 lbs. (2.80kN)	48 inches (122cm)	11,000 lbs. (48.9kN)
45 degrees	420 lbs. (1.87kN)	72 inches (183cm)	9,000 lbs. (40.0kN)
45 degrees	320 lbs. (1.42kN)	96 inches (244cm)	7,400 lbs. (32.9kN)



B. Angled Descent:

Step 1. Open protective cover or enclosure, attach Rescumatic® to anchorage and attach rope spool to rotating spindle.

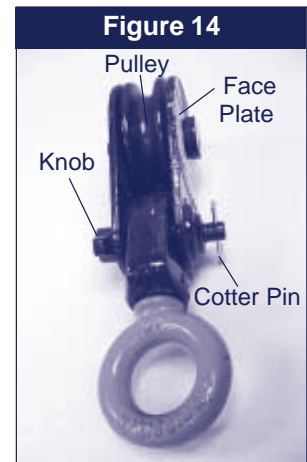
Step 2. Attach snatch block to angled guide cable. DBI/SALA Snatch block is attached to the guide cable by removing the cotter pin, unscrewing the knob enough to pull the face plate to the side. Insert the guide cable between the pulley and the knob. Screw the knob tight again and replace the cotter pin, see Figure 14.

Step 3. Attach D-ring on Rescumatic® body support to snatch block using carabiner. Put webbing body support over head and under arms, adjust support buckle to tighten. If full body harness is available, don harness per manufacturer's instructions and secure harness to D-ring located on body support using carabiner. See Figure 8.

Step 4. Pull on free end of rope to take up slack. Rope must be taught before descending.

Step 5. Slowly step off of platform to begin descent.

Step 6. Descend to safe level. Prepare for landing by bending knees. Disconnect from system.



If the same guide cable is to be used for multiple descents, the body support must be detached from the snatch block. A separate snatch block must be used by second person. Second person shall repeat steps 2 - 6. When the body support is detached from the snatch block, the rope and body support will swing back below the overhead Rescumatic® unit. Be certain the rope will not be damaged or interfered with as it swings back.

If multiple angled descents are to be performed, it is recommended that a separate angled guide cable be used. A snatch block is needed at both ends of the system. The snatch block can remain attached to the angled guideline at the completion of each descent.

C. Rescue Cradle:

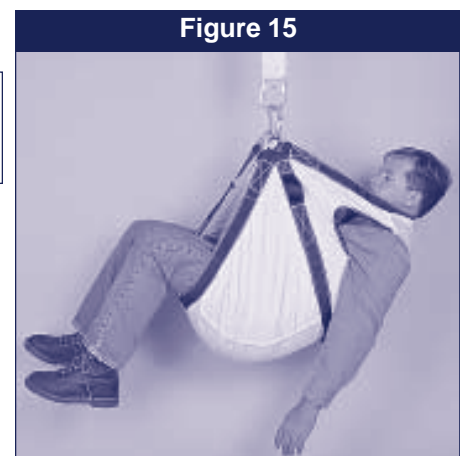
IMPORTANT: Consult competent personnel before moving injured or disabled person. Remove all sharp objects from person being transported to avoid tearing the cradle.

Step 1. Open cradle on floor near the escape point.

Step 2. Place the disabled person in the center of the cradle.

Step 3. Snap all three rings to the triangular D-ring on the escape belt with the carabiner provided. See Figure 15.

Step 4. Drop the reel with the "return cable" to the ground. For cable lengths over 250 ft (76.2m) see section 3.3 (B).



Step 5. Move disabled person in cradle to launch area. Pull on free end of rope to take up the slack. Rope must be taught before descending. Slowly release cradle to begin descent.

Step 6. The guideline attached to the bottom of the cradle is used to steer the cradle past obstructions to the ground.

CAUTION: Exert steady pull on guideline - never tug violently, cradle may tear. Do not pull guideline to cause cradle angle to exceed ten degrees to vertical. To avoid damage to the guideline, never wrap around any object to control descent speed or direction of descent. Swing injury may result if guideline breaks. Do not put sharp objects in cradle which may rip or tear cradle.

4.0 TRAINING

4.1 It is the responsibility of the user to assure they are familiar with these instructions, and are trained in the correct care and use of this equipment. User must also be aware of the operating characteristics, application limits, and the consequences of improper use of this equipment.

WARNING: Training must be conducted without exposing the trainee to a fall hazard. Training should be repeated on a periodic basis. Always use a back-up system when training.

4.2 All persons should experience the descent on the Rescumatic® Emergency Escape Device before the event of an emergency situation which will require its use. Demonstrations organized at the time of installation are strongly recommended with repeat demonstrations every six months just after the maintenance check (see section 6.0).

Initial training is advised from a low height, for example a standing height of approximately six feet above ground. This is usually done by attaching the Rescumatic® unit to a crane or hoist hook at ground level and then raising a person off the ground a few feet before the descent is allowed to begin.

It is highly recommended that a full body harness be used by the trainee. The Rescumatic® Emergency Escape Device should be attached to the dorsal D-ring or the front D-ring. Attachment of the harness to the descent device is made by using a carabiner connected to the D-ring on the harness and the metal D-ring on the end of the Rescumatic® body support.

A backup fall arrest system (such as a self retracting lifeline) should be utilized during all training descents. A means of rescue should be available during all training descents.

5.0 INSPECTION

5.1 MONTHLY: A formal inspection should be completed by a competent person other than the user. A formal inspection should be completed if the system parameters are changed, such as after a system is moved, re-rigged, anchorages moved, guide cable angle changed, etc. Extreme working conditions may require increasing the Inspection frequency. Inspect the Rescumatic® Emergency Escape Device according to sections 5.2 and 5.3. Record inspection results in the inspection and maintenance log in section 9.0.

5.2 Inspection steps:

Step 1. Inspect device for loose fasteners and bent or damaged parts.

Step 2. Inspect cover and base plate for distortion, cracks or other damage.

Step 3. Device rope must pull out freely in both directions.

Step 4. Inspect rope for cuts, wear, breaks, or abraded cover.

IMPORTANT: After several descents the outside portion of the rope will begin to loosen up and increase in diameter. This is a sign of wear and will potentially cause interference and binding as the rope enters and exits the descent unit. Inspect the rope carefully and replace the rope immediately if the rope cover is loose, worn, or begins to bunch up as the rope enters the descent unit.

Step 5. Inspect for corrosion.

Step 6. Inspect connecting carabiner and web body support for damage.

Step 7. Inspect rope spool for damage.

Step 8. Inspect angled guide line (if present).

Step 9. Inspect cover/enclosure.

Step 10. Inspect Rescue Cradle (if present).

5.3 If inspection reveals an unsafe condition, remove device from service and contact DBI/SALA or a authorized service center for repair.

6.0 MAINTENANCE and STORAGE

6.1 Six Month Maintenance Check:

Step 1. Remove screw and metal cover to observe free movement of gears by passage of cable.

Step 2. Blow out any dust accumulation with air hose. **DO NOT OIL!**

Step 3. Check cable for wear. **Worn cable must be replaced immediately.** Only cable supplied by DBI/SALA is acceptable for use with the Rescumatic® descent system.

Step 4. Evidence of chemical attack or environmental effects on the material of construction must immediately be referred to DBI/SALA.

Step 5. Rotate internal drum. Drum should rotate freely.

Step 6. Inspect inside surface of brake drum. Check for brake lining wear evident by ridges or grooves inside of brake drum.

Step 7. Replace metal cover and screw.

Step 8. A practice descent is strongly recommended after each maintenance check. See section 4.0.

Step 9. Return unit back to original location. Ensure that the Rescumatic® equipment is protected from the effects of weather and environment until the next inspection. A vinyl protective cover is supplied by DBI/SALA.

6.2 If maintenance check reveals an unsafe condition, remove from service immediately and contact DBI/SALA or an authorized service center for repairs.

6.3 Service: Maintenance and servicing must be completed by an authorized service center. An authorization and return number must be issued by DBI/SALA. Contact DBI/SALA for service frequencies when this equipment is used in extreme working conditions.

6.4 Storage: The Rescumatic® Emergency Escape Device must be protected from the weather in a weather-resistant container. The unit must also be protected from long term effects of sunlight which may cause degradation of the belts and other synthetic materials.

Outdoors a protective box should be constructed to suit local conditions. The box should be dry, resistant to salt spray, wind, fumes, and UV light.

Indoors for dusty locations, all permanently installed Rescumatic® units should be protected with a vinyl protective cover furnished with each unit. This cover is not suitable for outdoor installation.

Inspect the Rescumatic® Device after extended storage.

7.0 SPECIFICATIONS

Rescumatic:

Hardware: High tensile alloy steel snap hook, stainless steel rivet, aluminum ferrule, plastic thimble, copper button stop, alloy steel single pass buckle

Webbing: 1 3/4-in. (45mm) polyester strength member

Rope: 5/16-in. (8mm) braided polyester, 1/8-in. (3.2mm) diameter galvanized wire core, 7 x 19 construction.

In Canada: 3/16 in.(4.7mm) diameter galvanized wire core, 7 x 19 construction.

Capacity: 300 lbs. (136kg) (one person)

Rescumatic® Emergency Escape Device meets CSA Z259.2.3 - Class 1E.

Rescue Cradle:

Hardware: High tensile alloy steel snap hook, aluminum ferrule

Webbing: 1-3/4in. (45mm) polyester strength member

Cradle: Treated canvas with polyester web

Rope: 3 strand polypropylene

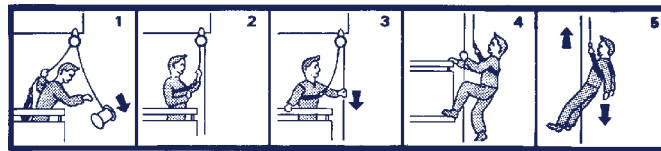
Capacity: 350 lbs. (159kg) (one person)

Snatch Block:

Hardware: Forged steel swivel tee and yokes, bronze bushing

Fits cable size: 5/16-in. to 3/8-in. diameter (8.0mm to 9.5mm diameter)

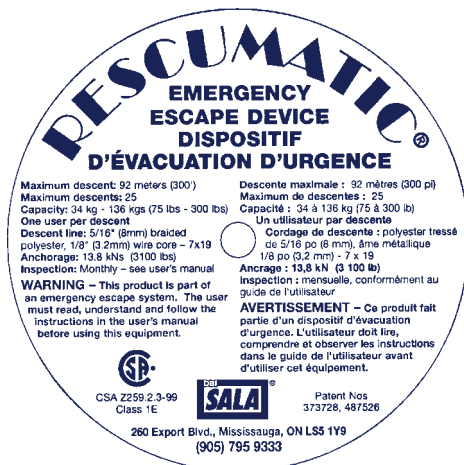
8.0 LABELING



Rescumatic® Side Labels



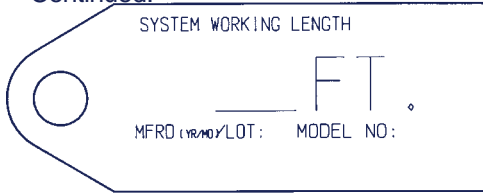
U. S. Rescumatic Face Label



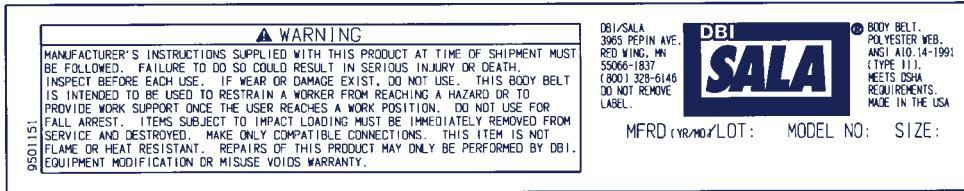
Canadian Rescumatic Face Label

8.1 These labels must be present and fully legible:

8.1 Continued:



Rescumatic® Rope System Label



Rescue Cradle ID Label

9.0 INSPECTION AND MAINTENANCE LOG

DATE OF MANUFACTURE: _____

MODEL NUMBER: _____

DATE PURCHASED: _____

INSPECTION DATE	INSPECTION ITEMS NOTED	CORRECTIVE ACTION	MAINTENANCE PERFORMED
Approved By: _____			
Approved By: _____			
Approved By: _____			
Approved By: _____			
Approved By: _____			
Approved By: _____			
Approved By: _____			
Approved By: _____			
Approved By: _____			
Approved By: _____			
Approved By: _____			
Approved By: _____			

9.0 INSPECTION AND MAINTENANCE LOG

DATE OF MANUFACTURE: _____

MODEL NUMBER: _____

DATE PURCHASED: _____

INSPECTION DATE	INSPECTION ITEMS NOTED	CORRECTIVE ACTION	MAINTENANCE PERFORMED
Approved By: _____			
Approved By: _____			
Approved By: _____			
Approved By: _____			
Approved By: _____			
Approved By: _____			
Approved By: _____			
Approved By: _____			
Approved By: _____			
Approved By: _____			
Approved By: _____			

9.0 INSPECTION AND MAINTENANCE LOG

DATE OF MANUFACTURE: _____

MODEL NUMBER: _____

DATE PURCHASED: _____

INSPECTION DATE	INSPECTION ITEMS NOTED	CORRECTIVE ACTION	MAINTENANCE PERFORMED
Approved By:			
Approved By:			
Approved By:			
Approved By:			
Approved By:			
Approved By:			
Approved By:			
Approved By:			
Approved By:			
Approved By:			
Approved By:			
Approved By:			
Approved By:			
Approved By:			

This instruction applies to the following models:

3300008	3300040	3300077	3300138	3300235	3300800
3300010	3300041	3300080	3300140	3300250	3301000
3300016	3300042	3300081	3300143	3300260	3305000
3300018	3300043	3300084	3300150	3300265	3308006
3300020	3300045	3300085	3300160	3300300	3308007
3300021	3300046	3300089	3300165	3300310	3310035
3300022	3300050	3300090	3300170	3300330	3310045
3300024	3300052	3300095	3300175	3300340	3310080
3300025	3300053	3300096	3300180	3300350	3310085
3300026	3300055	3300100	3300182	3300390	3610000
3300027	3300060	3300105	3300185	3300400	3610050
3300028	3300062	3300110	3300190	3300430	3610055
3300029	3300065	3300112	3300200	3300440	3610080
3300030	3300066	3300115	3300210	3300450	3610100
3300032	3300070	3300116	3300212	3300490	3610150
3300033	3300071	3300120	3300215	3300500	3610200
3300034	3300073	3300125	3300225	3300520	3610400
3300035	3300075	3300128	3300227	3300610	3610500
3300038	3300076	3300130	3300231	3300700	

Additional model numbers may appear on the next printing of these instructions



USA

3965 Pepin Avenue
Red Wing, MN 55066-1837
Toll Free: 800-328-6146
Phone: (651) 388-8282
Fax: (651) 388-5065
www.salagroup.com

Canada

260 Export Boulevard
Mississauga, Ontario L5S 1Y9
Toll Free: 800-387-7484
Phone: (905) 795-9333
Fax: (905) 795-8777
www.salagroup.com

This manual is available for download at www.salagroup.com.



Form: 5906277
Rev: F